

# SN100(X)/110/125PT

## Three Phase PV Inverters/ Up to 5 MPPTs

### Safe & Reliable

IP66 protection & C5 anti-corrosion rating  
Type II SPD, both DC & AC sides  
Built-in arc-fault circuit-interrupter

### High Yield

Built-in PID recovery function  
Compatible with bifacial PV modules  
1.1 times continuous output overload

### High-Performance Management

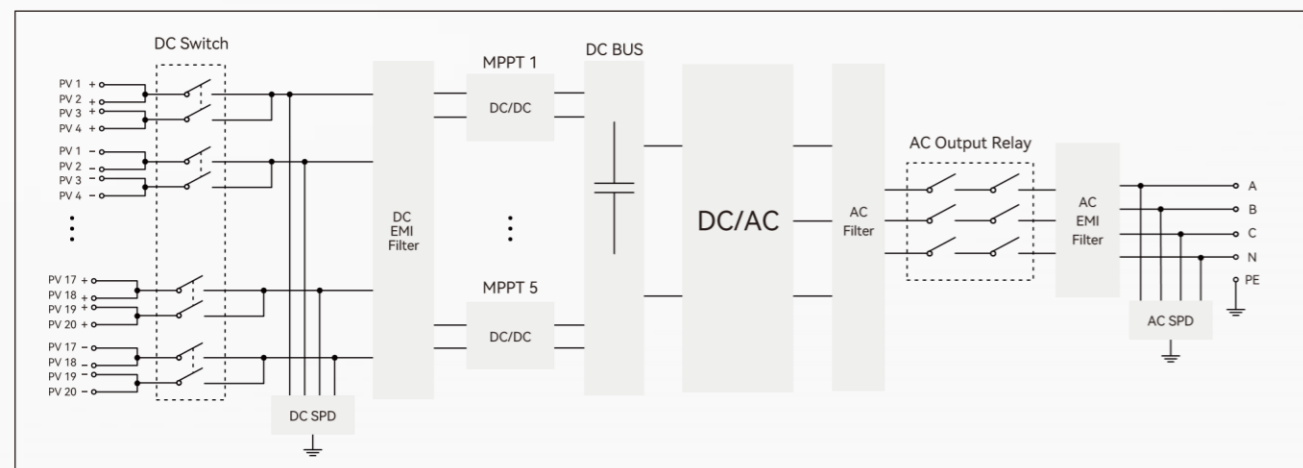
Accurate string current detection  
Integrated silicon carbide components  
Local & remote maintenance

### User-Friendly Design

Fuseless design-built in smart switch-disconnectors  
Compatible with Al and Cu AC cables  
Reversed battery terminal



## Circuit Diagram



Model	SN100PT-X	SN110PT	SN125PT
<b>Input (PV)</b>			
Max. PV input voltage	1100V		
Recommended max. PV power (STC)	150kWp	165kWp	187.5kWp
Nominal PV input voltage	620V		
MPPT operating voltage range	200V~1000V		
Full power MPPT voltage range	550V~850V		
Startup PV voltage	250V		
Number of PV inputs	20(5 MPPTs, 4/4/4/4/4)	20(5 MPPTs, 4/4/4/4/4)	20 (5 MPPTs, 4/4/4/4/4)
Max. current per MPPT	64A/64A/64A/64A	64A/64A/64A/64A/64A	64A/64A/64A/64A/64A
Max. short circuit current per MPPT	100A/100A/100A/100A	100A/100A/100A/100A/100A	100A/100A/100A/100A/100A
<b>Output (grid)</b>			
Nominal output power	100kW	110kW	125kW
Max. output apparent power	110kVA@35°C,100kVA@45°C,90kVA@50°C	121kVA@35°C,110kVA@45°C,100kVA@50°C	137.5kVA@35°C,125kVA@45°C,110kVA@50°C
Max. output current	159.4A	175.4A	199.3A
Nominal grid voltage	3L/PE or 3L/N/PE, 230V/400V		
Grid voltage range	320V~480V (According to local standards)		
Nominal grid frequency	50/60Hz		
Power factor range	0.8leading~0.8lagging		
Harmonic (THD)	<3%		
<b>Efficiency</b>			
Max. efficiency	99.00%		
EU efficiency	98.50%		
<b>General data</b>			
Display mode	LED, APP		
Communication port	RS485, WIFI/4G/Ethernet, PLC(optional)		
Weight	75kg		
Dimensions (W*H*D)	1008*700*362 mm		
Max. operating altitude	4000m(>3000m derating)		
Cooling method	Smart fan cooling		
Humidity	0~100%		
Operating temperature	-25~60°C		
Protection level	IP66		
Topology	Transformerless		
Self-consumption at night	< 3.5W		
<b>Protection</b>			
Leakage current protection	Yes		
Anti-island protection	Yes		
DC reverse protection	Yes		
AC short circuit protection	Yes		
PV string current detection	Yes		
PID recovery	Optional		
DC switch	Yes		
Arc-fault circuit-interrupter	Yes		
Surge protection	DC II(Type I optional)/AC II		
Insulation monitoring	Yes		
Over-voltage protection	AC III/DC II		
IEC 62109-1/2, IEC61000-6, IEC62116, IEC61727, IEC61683, IEC60068, IEC61000-3, EN50549-1/2, VDE4105/4110/4120, C10/11, CEI-0-16/21, BIS/CEA, NRS097-2, KSC8565, TOR Type A&B, PTP/PIREE, MEA/PEA, DEWA			