

# SN50/60PT

## Three Phase PV Inverter/5 MPPTs

**Safe & Reliable**  
 IP66 protection & C5 anti-corrosion rating  
 Type II SPD, both DC & AC sides  
 Built-in arc-fault circuit-interrupter

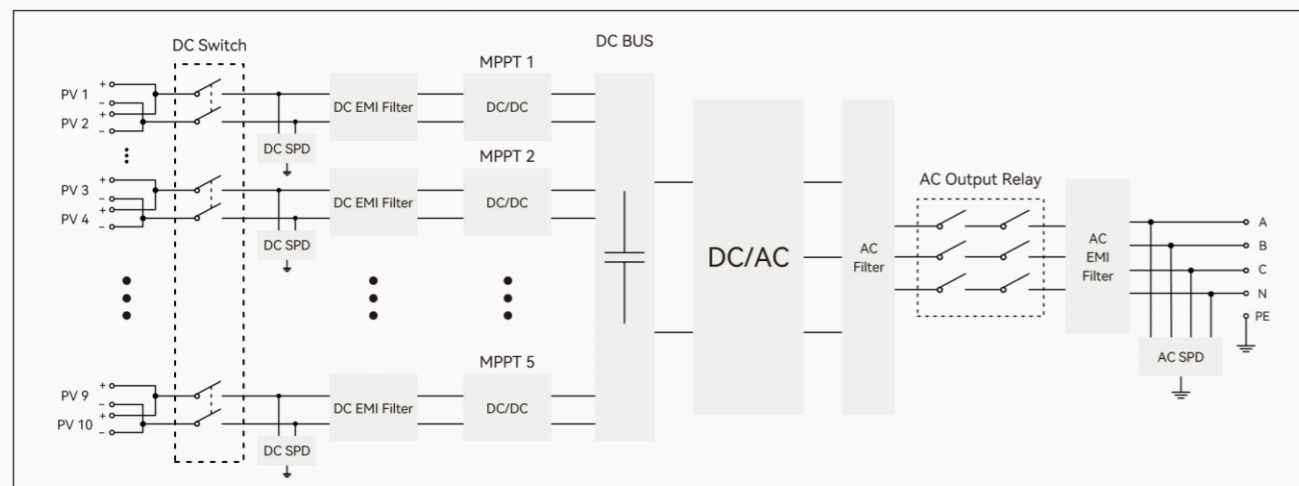
**High Yield**  
 Built-in PID recovery function  
 Compatible with bifacial PV modules  
 1.1 times continuous output overload

**High-Performance Management**  
 Accurate string current detection  
 Support export power limit  
 Local & remote maintenance

**User-Friendly Design**  
 Convenient handle design  
 Optional OLED screen  
 Quickly set up smart monitoring via APP



### Circuit Diagram



Model	SN50PT	SN60PT
<b>Input (PV)</b>		
Max. PV input voltage	1100V	
Recommended max. PV power (STC)	75kWp	90kWp
Nominal PV input voltage	620V	
MPPT operating voltage range	200V~1000V	
Full power MPPT voltage range	520V~850V	
Startup PV voltage	250V	
Number of PV inputs	10 (5 MPPTs, 2/2/2/2/2)	
Max. current per MPPT	32A/32A/32A/32A/32A	32A/32A/32A/32A/40A
Max. short circuit current per MPPT	50A/50A/50A/50A/50A	
<b>Output (grid)</b>		
Nominal output power	50kW	60kW
Max. output apparent power	55kVA	66kVA
Max. output current	79.7A	95.7A
Nominal grid voltage	3L/N/PE, 230V/400V	
Grid voltage range	320V~480V (According to local standards)	
Nominal grid frequency	50/60Hz	
Power factor range	0.8leading~0.8lagging	
Harmonic (THD)	<3%	
<b>Efficiency</b>		
Max. efficiency	98.60%	
EU efficiency	98.30%	
<b>General data</b>		
Display mode	LED, OLED(optional)	
Communication port	RS485,WIFI/4G/Ethernet	
Weight	50kg	
Dimensions (W*H*D)	698*594*274mm	
Max. operating altitude	4000m (>3000m derating)	
Cooling method	Smart fan cooling	
Humidity	0~100%	
Operating temperature	-25~60°C	
Protection level	IP66	
Topology	Transformerless	
Self-consumption at night	< 1W	
<b>Protection</b>		
Leakage current protection	Yes	
Anti-island protection	Yes	
DC reverse protection	Yes	
AC short circuit protection	Yes	
PV string current detection	Yes	
PID recovery	Yes	
DC switch	Yes	
Arc-fault circuit-interrupter	Yes	
Surge protection	DC II/AC II	
Insulation monitoring	Yes	
Over-voltage protection	AC III/DC II	
IEC 62109-1/2, IEC61000-6, IEC62116, IEC61683, IEC61727, IEC60068, IEC61000-3, EN50549-1, VDE4105, C10/11, VDE0126/VFR2019, CEI-0-16/21, BIS/CEA, KSC8565, RD1699/UNE217001/UNE206007/NTS Type A, TOR Type A&B, PTPIREE: 2021, MEA/PEA, NRS097-2, ORDINANCE No.140, DEWA		